

BVM3

BVM3F

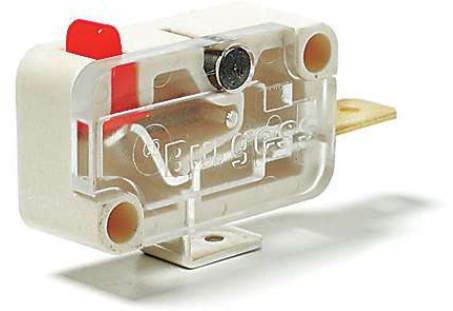
- Characteristics
- positive-action forced break switching
 - > 3 mm contact gap at full travel
 - internationally recognized V3 housing
 - faston terminals

Rating **250 VAC, 10 A**

Dimensions (mm) **28 × 16 × 10.5**

- Actuator
- plunger
 - plain lever
 - roller lever

Approvals ULS, CSA, ENEC



Preferred Range

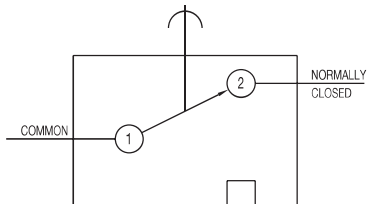
Ordering Reference	Actuating Force (N)	Actuating Force (ozf)	Sealing	Terminal	Circuit	Actuator	Contacts	Electrical rating
BVM3FULS	4.5	16.2	IP40	Faston	NC	Plunger	Ag/Ag nickel	Up to 250 VAC, 10 A
BVM3FYULS	4.5	16.2	IP40	Faston	NC	Plain lever	Ag/Ag nickel	Up to 250 VAC, 10 A
BVM3FYRULS	5.0	18.0	IP40	Faston	NC	Roller lever	Ag/Ag nickel	Up to 250 VAC, 10 A

BVM3

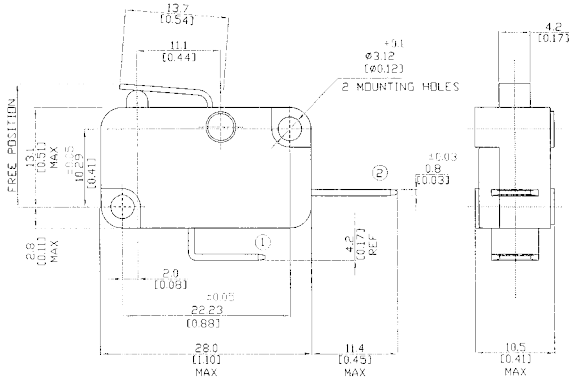
Specifications

Housing	Glass reinforced nylon
Plunger	Nylon
Mechanism	> 3 mm gap, positive-action, single pole
Functions	Normally closed
Contacts	Fixed silver nickel, Moving silver
Terminals	6.3 mm (0.25 in) faston NC (2) - brass, Common (1) - brass, Ag-plated
Temperature range °C	-40°C to +85°C
Mechanical life	10 ⁶ cycles minimum, impact-free actuation
Protection	IP40 (enclosure)
Mounting	Side mounting
Actuators	Plain lever - stainless steel, roller lever - stainless steel, nylon roller
Lid	Polycarbonate

Circuit diagram



Dimensions


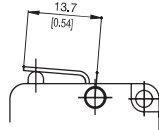
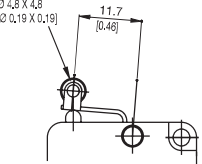


Recommended maximum electrical ratings

Voltage (max)	Load (A)	Horsepower	Approval
250 VAC	10 (0.75 pf)	-	ULS 1054/CSA 22.2 No. 55 - 100,000 operations
250 VAC	-	½ HP	ULS 1054 - Horsepower - 6,000 operations
250 VAC	10 (3)	-	EN 61058-1 T85 50,000 operations
125 VAC	-	½ HP	ULS 1054 - Horsepower - 6,000 operations
0 - 15 VDC	10	-	General rating - 50,000 operations
15 - 30 VDC	7	-	General rating - 50,000 operations

BVM3

Operating Characteristics

Actuator	Reference	Actuating Force at contact break Maximum		Actuating Force at total travel Minimum		Free Position		Contact gap at total travel	
		(N)	(ozf)	(N)	(ozf)	Maximum (mm)	(in)	Minimum (mm)	(in)
Plunger 	BVM3FULS	4,5	16,2	4,8	17,3	15,8	0,62	3,0	0,12
Y Lever 	BVM3FYULS	4,5	16,2	4,8	17,3	16,8	0,66	3,0	0,12
YR Lever 	BVM3FYRULS	5,0	18,0	5,5	19,8	22,35	0,88	3,0	0,12

Operating characteristics are specified from the mounting holes.

Total travel: Plunger can be depressed flush with housing. The housing should not be used as an end stop.

Ordering Reference

Basic type	BVM3	Example: BVM3	F	Y	ULS
Terminals	F	Faston 6.3 × 0.8 mm			
Actuators	Y	No symbol, without lever			
	YR	Straight lever 13.7 mm			
		Roller lever 11.7 mm			
Approvals	ULS	UL 100 k operations and CSA approval, ENEC			
Special Features	/□□□□	Burgess specialise in customer specific solutions. Additional product variants are available or can be provided. If your requirements cannot be satisfied from the options listed, please contact us.			